



ARSENO J100

MINI-PAVER



Ideal for paving narrow strips for :

Burial of gas lines, cables or others

For highway shoulders

Asphalt or Aggregates

Asphalt sidewalks

Bicycle trails along streets

Railroad center filling

Spreading asphalt or aggregates:

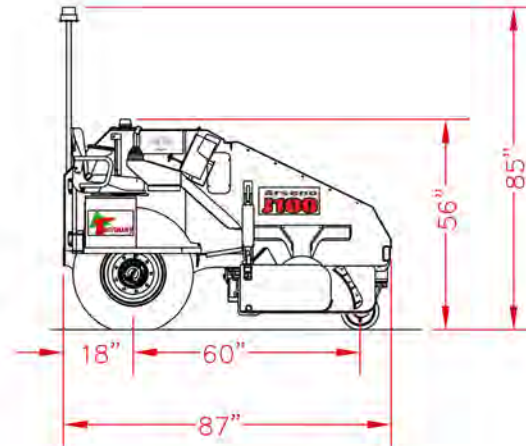
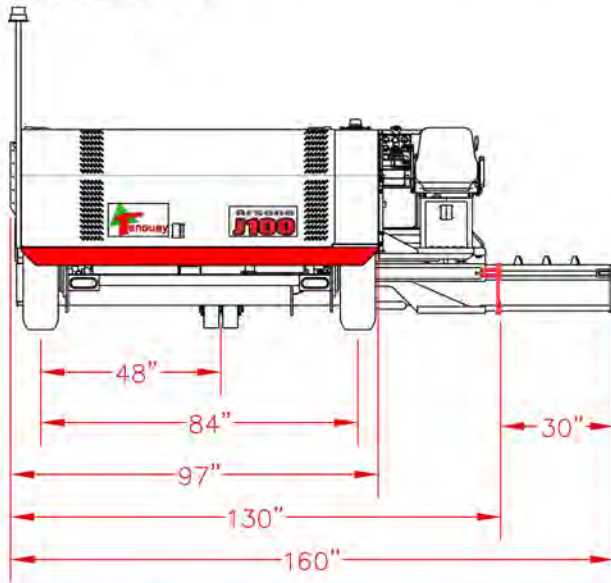
Minimum width:.....18"

Standard max. Width:..... 48"

Optional width up to:..... 72"

Technical specifications Mini-paver

ARSENO J100



Dry weight: 2,400 kg (5,300 lbs)

- Compact for easy loading and transporting
- Simple operation with a single joystick control
- Hydrostatic propelling system
- Powerful working control
 - independent controls on wheels and powerful steering for greater spreading control
- Traveling speed up to 10 km/hr (6.2 mph)
- Hydrostatic auger drive for precise and powerful feed
- Perkins 49 hp diesel engine
- Hydrostatic on both propelling system and auger drive

Options:

- 72" (6 ft.) Spreader blade for 42" to 72" spreading width;
- Leveling system;
- Tool support module;
- Light module with strobe light;
- Cleaning system with tank, pump and nuzzle;
- Curb forming tool;



info@tanguay.cc
1.800.463.9856

